

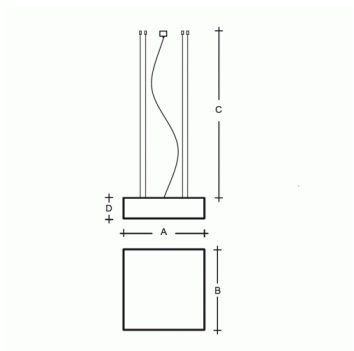
IZAR B MAX ZL4.IB.L2.1500M.91Y

Type: suspension lamp

Lampshade: acrylic glass

Metal parts: white painted steel plate

Pendant: steel wire suspension with a transparent cable



W	K	Module luminous flux lm	Luminaire luminous flux lm	A	B	C	D	DALI 2	Motion sensor	Emergency	Bluetooth	Track system	Weight
338	4000	49300	41412	1500	1500	2000	180	M	-	-	Q*	-	89000

Voltage: 230V

IK code: IK06

Ballast: Driver

CRI: >90

LED life: L80/F10 50000 hours

Watt: 338 W

Color temperature: 4000 K

Module luminous flux: 49300 lm

Luminaire luminous flux: 41412 lm

A: 1500 mm

B: 1500 mm

C: 2000 mm

D: 180 mm

Dali 2: Available

Motion sensor: Not available

Emergency module: Not available

Bluetooth control: Available on inquiry

Track system: Not available

Sádrokarton: Not available

Weight: 89000 g

Lucis ZL4.IB.L2.1500M.X IZAR B MAX LED / LDC (Polar)

Luminaire: Lucis ZL4.IB.L2.1500M.X IZAR B MAX LED
Lamps: 1 x LED 292990

